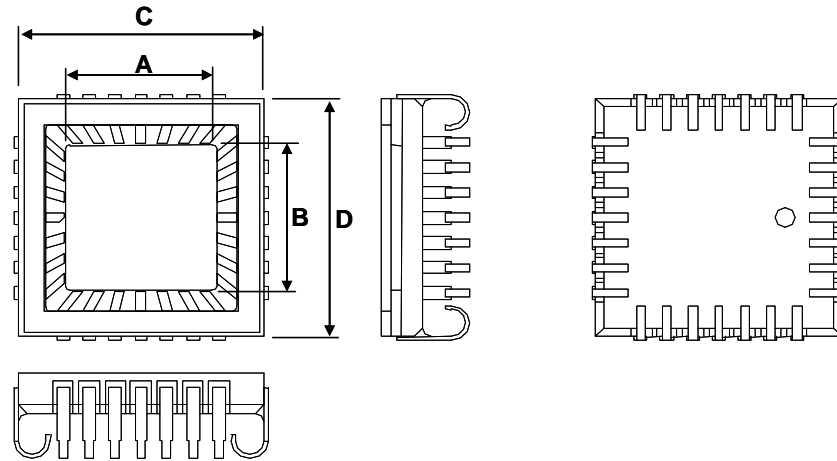


KYOCERA C-QFJ (CERAMIC QUAD FLAT J-LEADED PACKAGES)



Inquiries about this list

Unit : mm [Please click here for inch dimensions.](#)

N=No Metallization

0=No Connection

R0167E

LEAD COUNT	DIE CAVITY A x B	OVERALL C x D	LAYER THICKNESS				LEAD		KYOCERA CERAMIC MATERIAL CODE A440: Black	CONNECTION		DRAWING NUMBER
			1ST	2ND	3RD	TOTAL	STAND OFF HEIGHT	PITCH		SEAL RING	DIE ATTACH	
28	6.10SQ	11.43SQ	0.51	0.51	0.51	1.52	0.89	1.27	A440	0	0	PB-F87048
28	7.37SQ	12.04SQ	0.51	0.51	1.02	2.03	2.29	1.27	A440	0	0	PB-F88345
44	6.35SQ	16.51SQ	0.51	0.51	0.64	1.65	0.91	1.27	A440	0	0	PB-F86079
44	7.62SQ	16.51SQ	0.51	0.51	0.64	1.65	1.02	1.27	A440	0	0	PB-F86090-A
44	8.64SQ	16.51SQ	0.51	0.64	0.64	1.78	0.89	1.27	A440	0	0	PB-F86315
44	8.64SQ	16.51SQ	0.51	0.64	0.64	1.78	0.89	1.27	A440	0	0	PB-F86767
44	11.18SQ	16.51SQ	0.51	0.64	0.64	1.78	0.89	1.27	A440	0	0	PB-F87049
68	7.62SQ	24.13SQ	0.51	0.51	1.02	2.03	0.89	1.27	A440	0	0	PB-F86320-A

Unit : mm [Please click here for inch dimensions.](#)

N=No Metallization

0=No Connection

R0167E

LEAD COUNT	DIE CAVITY A x B	OVERALL C x D	LAYER THICKNESS				LEAD		KYOCERA CERAMIC MATERIAL CODE A440: Black	CONNECTION		DRAWING NUMBER
			1ST	2ND	3RD	TOTAL	STAND OFF HEIGHT	PITCH		SEAL RING	DIE ATTACH	
68	11.94SQ	24.13SQ	0.51	0.51	1.02	2.03	0.89	1.27	A440	0	0	PB-F86635
84	7.62SQ	29.21SQ	0.76	0.38	0.51	1.65	2.16	1.27	A440	0	0	PB-F86074

* Contents in this list are subject to change without notice. It is recommended to confirm the latest information at the time of usage.
We may not be able to accept requests based on old list.