

KYOCERA CERAMIC HYBRID PACKAGES



Inquiries about this list

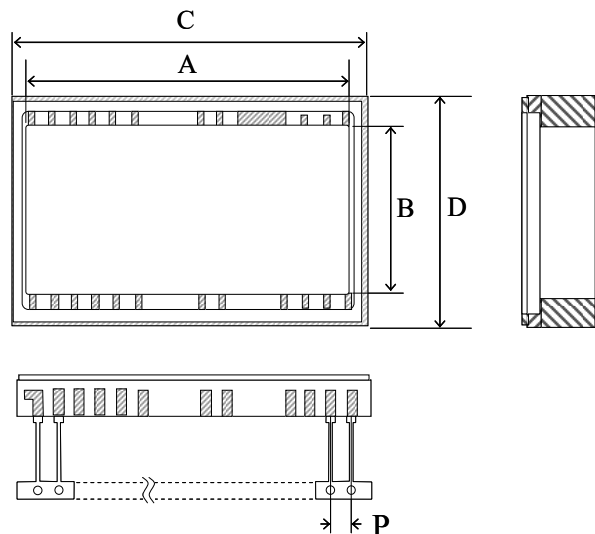
PACKAGE TYPE*

S/B DIP: Side Brazed Dual Inline Package

B/B DIP: Bottom Brazed Dual Inline Package

B/B QIP: Bottom Brazed Quad Inline Package

T/B F/P: Top Brazed Flat Package



Unit: mm [Please click here for inch dimensions.](#)

N=No Metallization

0=No Connection

R0173E

PACKAGE TYPE*	LEAD COUNT	DIE CAVITY A x B	OVERALL C x D	CERAMIC LAYER THICKNESS				LEAD		KYOCERA CERAMIC MATERIAL CODE A440: Black A473: White	CONNECTION		DRAWING NUMBER
				1ST	2ND	3RD	TOTAL	STAND OFF HEIGHT	PITCH		SEAL RING	DIE ATTACH	
B/B DIP	16	18.54MIN. X 6.86MIN.	22.61 X 12.45	1.14	1.14	0.76	3.05	0.64	2.54	A440	0 (Fe-Ni-Co RING)	N	KD-82714-D
B/B DIP	24	28.70MIN. X 14.48MIN.	32.89 X 20.07	1.14	1.14	1.02	3.30	0.64	2.54	A440	0 (Fe-Ni-Co RING)	N	KD-H87356-C
T/B F/P	30	20.32 X 20.19	28.70 X 23.83	1.02REF	0.51	0.76	2.37	-	1.27	A473	0 (Fe-Ni-Co RING)	N	KD-H85210-E
T/B F/P	44	26.49 X 27.99	35.50 X 32.51	1.02	1.02	1.02	3.05	-	1.27	A473	0 (Fe-Ni-Co RING)	N	KD-77321-A

* Contents in this list are subject to change without notice. It is recommended to confirm the latest information at the time of usage. We may not be able to accept requests based on old list.